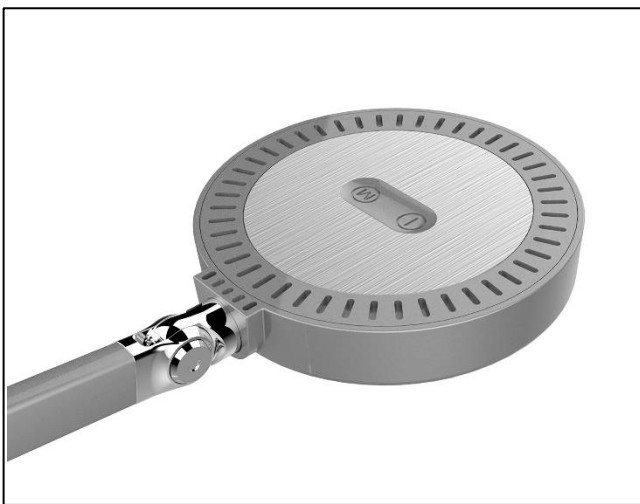




UNILUX

SENZA 2

SENZA 2



SENZA 2 has tailor-made quality LED lighting. The touch switch on the base with 3 levels of light intensity also allows the adjustment of the 3-level lighting color suitable for different activities.



- **Brightness:** multiple settings with 2 color temperature modes to choose from and 4 levels of brightness adjustable by touch button, this lamp is fully optimized for rest, reading, work. Choose the best quality of light for your activities.
- **Smart:** the memory feature allows you to adjust the brightness once, it will automatically return to your setting when you turn it back on.
- **Adjustment:** Great amplitude and flexibility thanks to its double arm, its triple articulation and its head that can be turned in any direction.
- **Contemporary design:** the worked design of the head and the fineness of the arm give a pure and original line to the lamp. It fits both in the office and at home.
- **Energetically efficient:** last generation cost-saving energy LED.
- **Take care of your eyes:** latest generation LED lighting, high quality, uniform, without flickering and glare. It has no harmful radiation to the eyes and avoids eyestrain.

Warranty: 2 years

Maximum height: 80 cm / minimum height: 20 cm

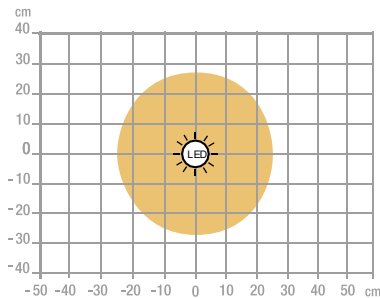
Materials: metal base / aluminum arm / ABS plastic head



Professional replaceable light source (LED only)

Characteristics

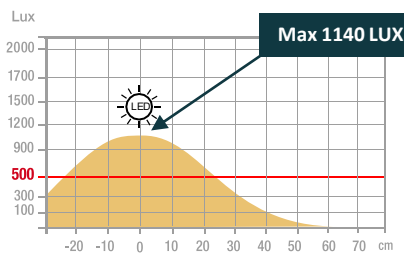
Measurement of Lux on the worktop in 40 cm top view:



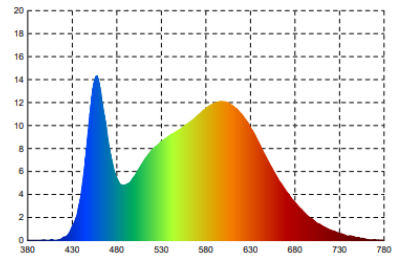
> 500 Lux

< 500 Lux

Measurement of Lux on the worktop in 40 cm profile view:



Measurement in nanometers of the light spectrum



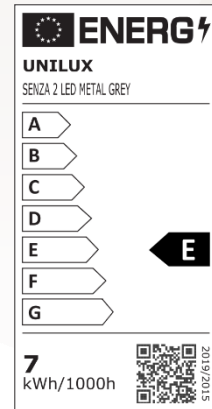
- 0 No-risk
- 1 Low-risk
- 2 Moderate-risk
- 3 High-risk

SAP. code	400092054
EAN code	3595560014286
Colors	Grey Metal and Chromium
Luminous flow (Lm)	704
Lux (Lx)	1140
Luminous Efficiency (Lm/W)	101
Color T° (K)	3000 / 4500 / 6500
CRI	>83
Source's lifetime (h)	50000
Energy Consumption (kWh/1000h)	7
USB port	No
Induction charger	No
Net weight (kg)	2,9

OUR CSR COMMITMENTS

1. All our lighting are **100% repairable** thus limiting planned obsolescence.
2. Reduce our carbon footprint through our **ECO-DESIGN THINKING** approach.
3. Contribute to the preservation of the planet's natural resources by promoting the use of **recycled materials**.
4. Optimize our packaging to control our **transport costs**.
5. Highlight the **talent of our employees** by ensuring social equality.

Energy class



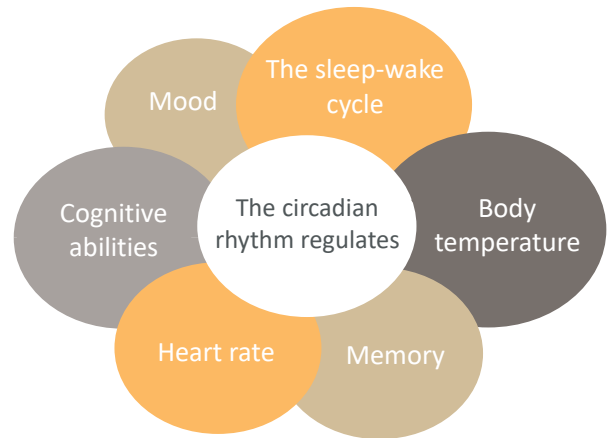
OUR EXPERTISE

1-Why use accent lighting?

We are regularly subjected to constant artificial lighting in the office that does not take into account our biological rhythm. Poor lighting quality can cause headaches, sleep disorders, loss of concentration. According to a recent study, only 34% of offices reach the lighting level of 500 lux recommended by Occupational Medicine.

2-Biodynamic light: source of well-being!

An adapted biodynamic light that accompanies you on a daily basis is essential to be effective in your work, your projects in order to prevent any harmful consequences produced by poor lighting. Your productivity will be greatly improved, you will be more dynamic and in a better mood. This is the reason why each individual must carefully follow his "circadian rhythm". The circadian rhythm is a biological rhythm that governs a set of physiological processes in humans. It is regulated by light for 24 hours.

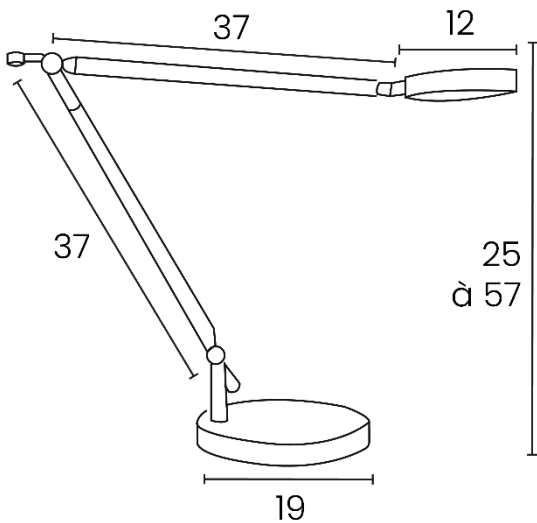


OUR CERTIFICATIONS

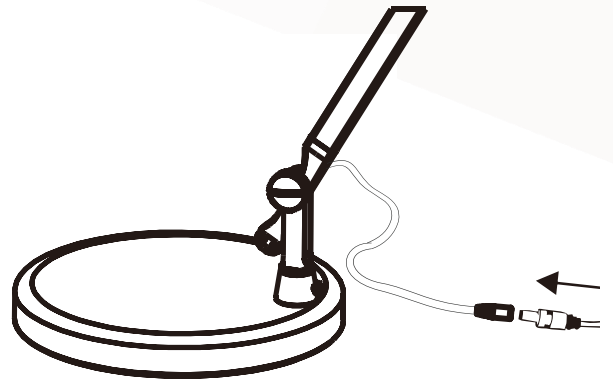
Unilux is committed to an eco-responsible approach and ensures that its products respect this commitment. Indeed, we are very concerned about current environmental issues and we aspire to respond as best as possible to the concerns of our consumers on this subject. Sustainable development is at the heart of our strategy and we act for the environment. You will find below the different certifications that Unilux has and that prove its environmental commitment.



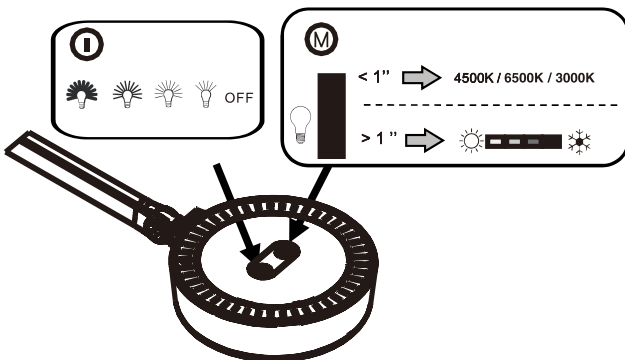
1



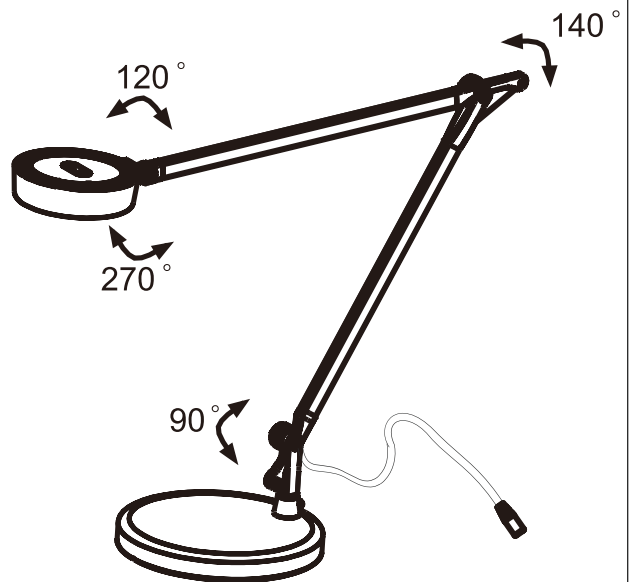
2



3



4



30 products available on pCon Planner

You will be able to obtain data on many UNILUX or OFML standard products and integrate them quickly and easily into 3D space layouts via pCon.



Download on our E-shop

Always available: photos in HD, data sheets, instruction manual, repairability instructions for all our products.



Do you have any questions?

Our after-sales service is always at your disposal

Tèl: +33 1 81 86 06 03

E-mail: contact.unilux@hamelinbrands.com

17 avenue du Parc TECHNOPOLES

91380 Chilly Mazarin – France

Tèl: +33 1 81 86 06 00

www.my-unilyx.com

E-mail: contact.unilux@hamelinbrands.com

UNILUX